

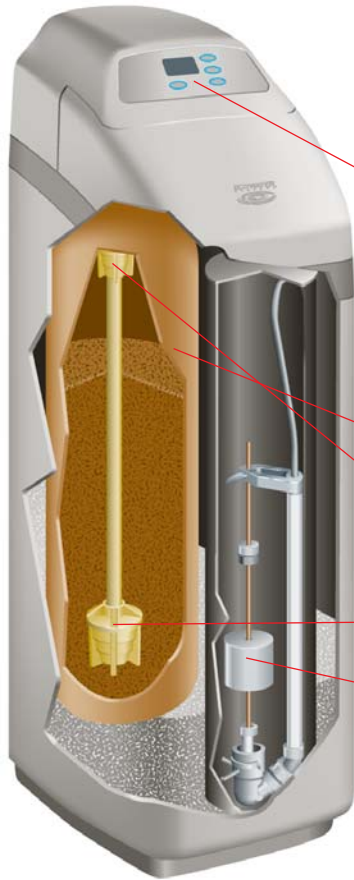
ESD 500

ECOWATER SERIES • WATER SOFTENER

It's That Good.®



The Latest Technology To Improve Your Water



Bypass Valve (optional)

Brass-free and lead-free bypass valve lets you manually bypass the system.

Patented Electronic Digital Demand Module

Solid-state electronics record usage patterns and control regeneration frequency based on predicted needs.

Time Keeper

Permanent program memory with capacity-backed time retention. Maintains time for at least 6 hours in case of power loss.

Multi-Wrap Fiberglass Reinforced Resin Tank

Underwriters Laboratories listed tank liner with a fiberglass wrapped exterior for strength. Doesn't deteriorate, rust, or corrode.

Self-Cleaning Distributors

Distributors exhibits excellent flow rates and are cleaned automatically by counter-current water pressure.

Positive-Action Brine Valve

Snap-together construction eliminates use of solvents that may contaminate water. Positive action helps prevent overfilling.

24-Volt Transformer

Simplifies installation, maintenance and reduces electrical hazards.

Automatic Bypass During Regeneration Means Continuous Water Usage



ECOWATER
SYSTEMS®

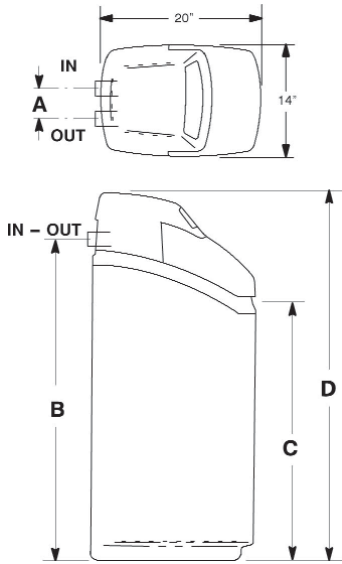


SINCE 1925.

ECOWATER.CA

ESD 500

DIMENSIONS



	ESD518D	ESD525
Nominal Resin Tank Size	8" Dia. x 35"	10" Dia. x 35"
A	3.375"	3.375"
B	38.125"	39.5"
C	32.5"	32.5"
D	45"	45.125"



SPECIFICATIONS

	ESD518D	ESD525
Efficiency (gr./lb. @ min. lb. salt dose)	5030 @ 2.0	5100 @ 3.1
Hardness Capacity (gr. @max. lb. salt dose)	25,600 @ 10.7	33,000 @ 14.4
Certified Flow Rate (gpm @ psi)	5 @ 7	6 @ 7
Intermittent Flow Rate (gpm @ psi) ¹	8.7 @ 15	9.2 @ 15
Intermittent Flow Rate (gpm @ psi) ¹	13.5 @ 30	13.8 @ 30
Maximum Clear Water Iron (ppm-Fe)	7	9
Supply Water Pressure Limits (psi) ²	20 – 125	20 – 125
Supply Water Temperature Limits (°F)	40 – 100	40 – 100
Service Flow Rate (gpm) ³	5.0	6.0
Water Used Each Regeneration (gal.) ⁴	31	35
Electrical Rating (transformer provided)	24V-60Hz	24V-60Hz

¹Intermittent flow rate does not represent the maximum service flow rate used for determining the softener's rated capacity and efficiency. Continuous operation at flow rates greater than the certified flow rate may affect capacity and efficiency performance.

²Maximum pressure for Canadian use is 7.0 kg/cm²

³Not to exceed 15 psi pressure loss

⁴When operated at 35 psi water pressure



EcoWater Canada Ltd.
5240, boul. Bradco
Mississauga, Ontario
Canada L4W 1G7

EcoWater Systems, LLC.
P.O. Box 64420
St. Paul, MN 55164-0420
www.ecowater.com

EcoWater Systems Ltd.
#1 Independent Bus. Pk. Mill Rd.
Stokenchurch, Bucks
United Kingdom HP14 3TP

EcoWater Systems Europe N.V.
Geelseweg 56
2250 Olen
Belgium



A member of The Marmon Group of companies

850744 (Rev. A 09/05)

Printed in Canada

2005 EcoWater Canada Ltd.

ECOWATER.CA